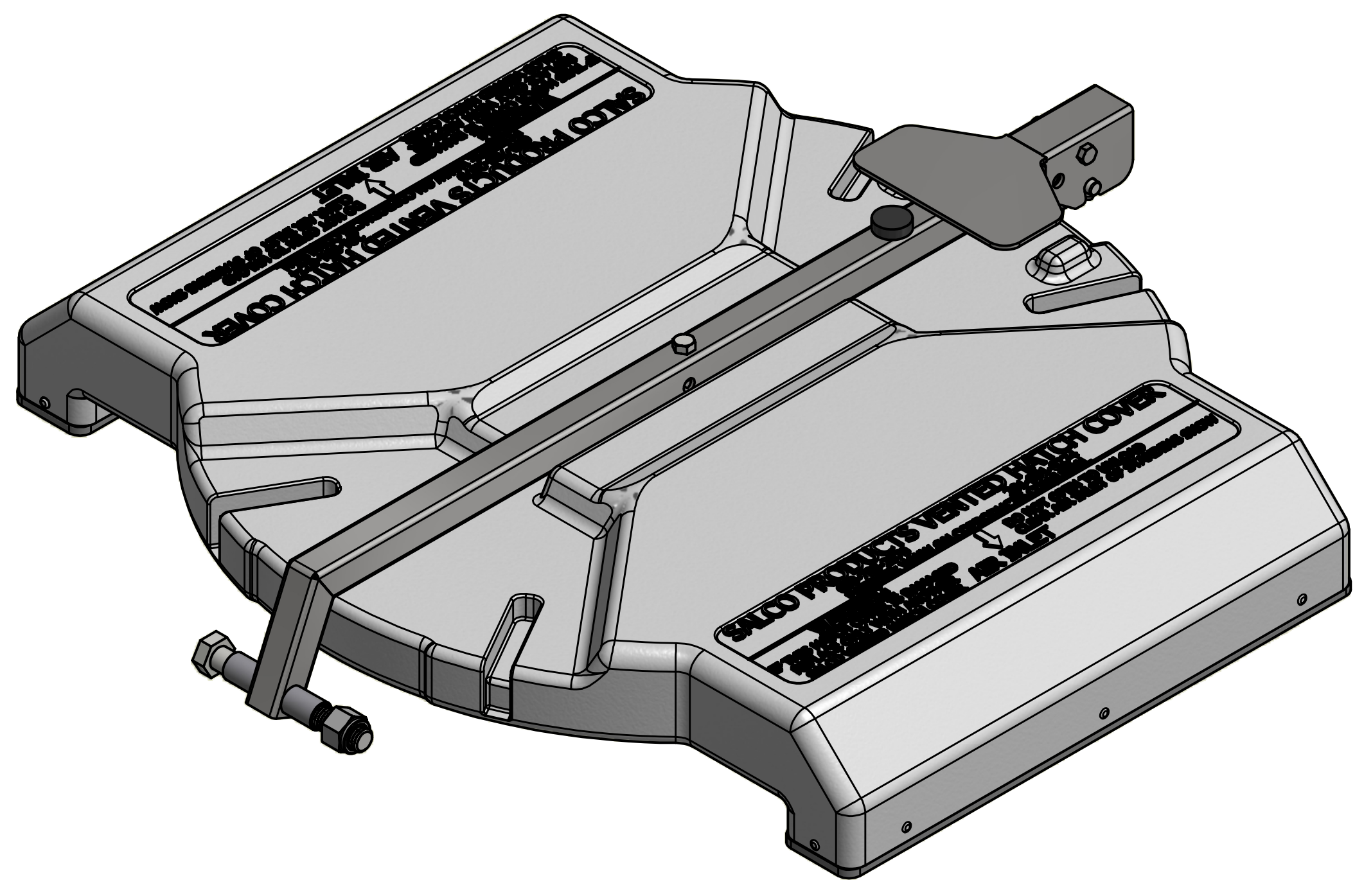
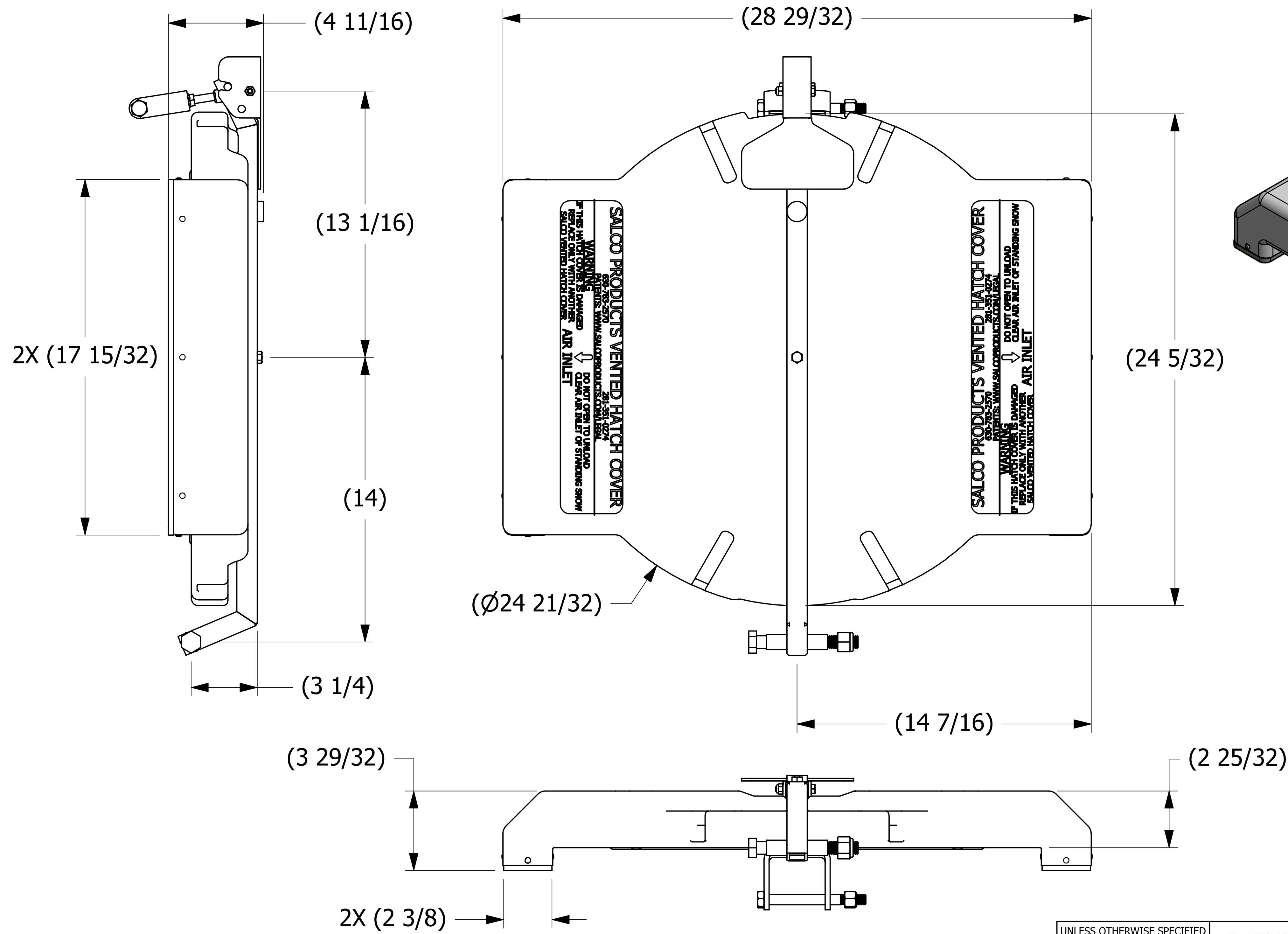


SALES DRAWING SALES DRAWING

SALES DRAWING SALES DRAWING



REV	BY	DATE	DESCRIPTION
D	JG	4-9-15	REPLACED P20SCAW W/ P20SCAB
C	RJP	1-03-14	ROTATED ARM
B	RJP	1-03-14	ADDED SHEET 2 WITH DIMENSIONS
A	CHL	7-28-10	NEW PART ADDED TO SYSTEM

UNLESS OTHERWISE SPECIFIED DIMENSIONAL TOLERANCES FRACTIONAL: $\pm 1/16$ X.XX: $\pm .03$ X.XXX: $\pm .015$ ANGULAR: $\pm 1^\circ$ DEBURR ALL SHARP EDGES. ALL MACHINED SURFACES TO HAVE A 125 RMS FINISH UNLESS NOTED OTHERWISE. THIRD ANGLE PROJECTION	DRAWN BY: CHL	PROTOTYPE BY: CHL	PROTOTYPE DATE: 2/4/2004	APPROVED FOR PRODUCTION BY: PJJ	PRODUCTION DATE: 7/28/2010
	CHECKED BY: PJJ				

SALCO PRODUCTS, INC.

PART NAME: **VENTED HATCH COVER 20"**

MATERIAL: **HDPE/SS**

PROJECT #: **WAG0095** SHEET #: **1 OF 1** SCALE: **1:3**

DRAWING #: **D18825** PART #: **VHCS98PTB**

THIS PRINT, PROPERTY OF SALCO PRODUCTS INC. CONTAINS PROPRIETARY INFORMATION AND MUST NOT BE COPIED, REPRODUCED, OR USED DETRIMENTALLY TO OUR INTEREST.